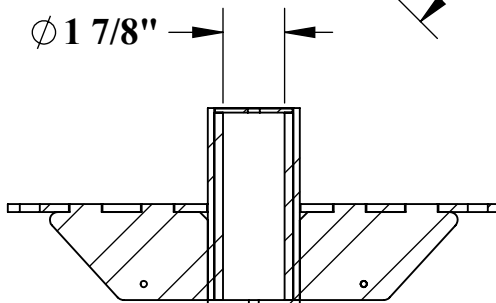
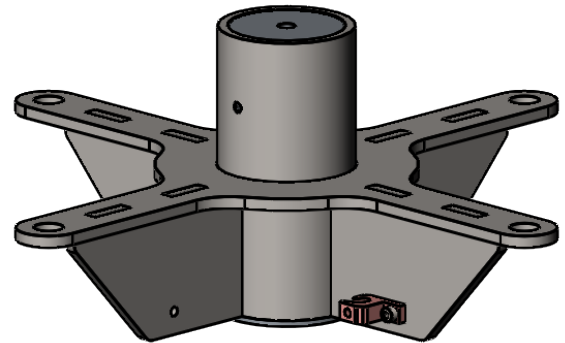
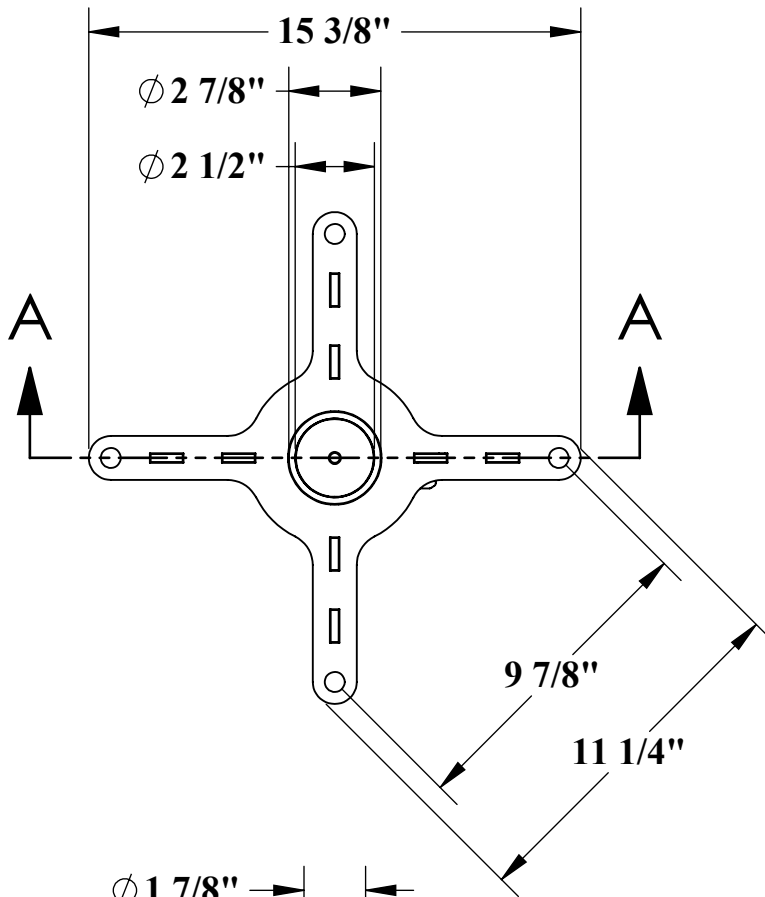
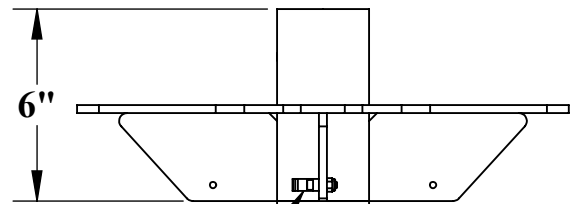


EZ & POWER EZ WOOD DECK



SECTION A-A



GROUNDING LUG

SPECIFICATIONS:

RATED CAPACITY: 400LBS [181kg]
MAXIMUM SETBACK: 20" [508mm]

strack Liftsysteme

Strack AG
 Ebnatstrasse 125
 8200 Schaffhausen

Tel. 0800 600 500
 Fax 0800 600 900

www.strack.ch
 info@strack.ch

ZSR-Nr. K 7514.14
 NIF-Nr. 366 824
 MWST-Nr. 567 970



9889 GARRYMORE LANE
 MISSOULA, MT 59808
 (406) 549-0769
 FAX (406) 549-2602

NOTE:
 *SPECIFICATIONS ARE SUBJECT TO CHANGE WITHOUT NOTICE

PRODUCT: EZ WOOD DECK ANCHOR	
PART #: F-30600	
SCALE: 1:6	DATE: 3/24/2021
DRAWN BY: KR	REVISION: A